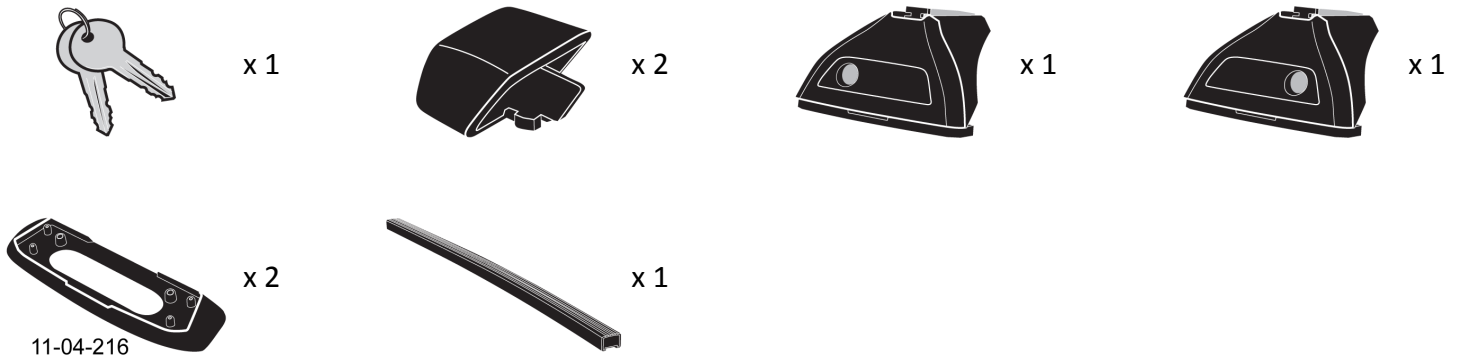
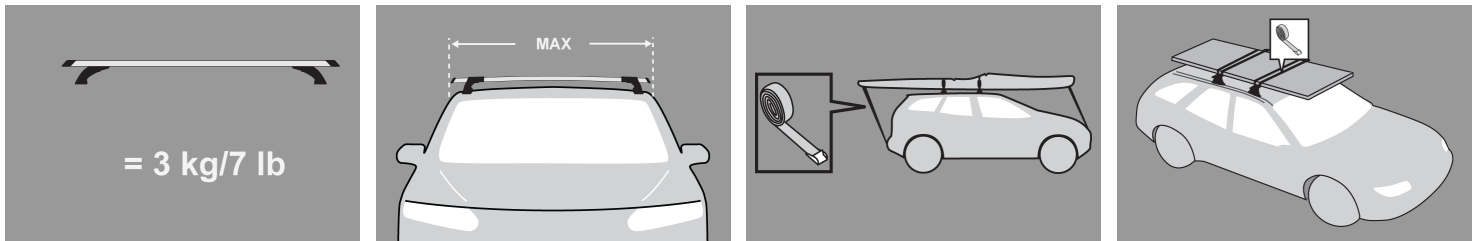


GB Fitting Instruction for Accessory



First Time Installation



- Remove parts from inside the package and check. Contact your dealer if any parts are missing or damaged.



- Ensure the locks on the roof rack face towards the front of the vehicle.



- Use keys to remove covers.



- 1. Adjusting Screw
- 2. Locking Screw



- Remove Hex Key from right hand cover.



- Use Hex Key to reverse adjusting screw 10 turns.
- Repeat for all legs.



- Locate (R) right and (L) left on the underside of the legs.



- Press adjusting screw and assemble leg onto crossbar. The screw is spring loaded and allows adjustment of the leg on the crossbar.
- Repeat for all legs.
- For each crossbar, ensure that an 'R' and an 'L' leg is assembled at each end.



- Assemble end caps onto crossbars.



- Ensure the tongue on the end cap engages correctly in the crossbar groove.



- Hold adjusting screw in and slide crossbar in or out as required.
- Ensure each end of the crossbar is adjusted equally.

To fit roof rack to vehicle, refer to Fitting Kit instructions.



- Once roof racks have been fitted to the vehicle, tighten adjusting screw to 5 Nm (3.7 ft lb).



- Use keys to fit and lock covers

Maintenance

- Clean the car roof and surfaces of the product that will be in contact with the car roof.
- Follow the fitting instructions for fitting the product to your vehicle. Make sure all steps are carried out in order.
- Set crossbars a minimum distance of 700mm (27 1/2") apart where no other distance is specified in the fitting instructions. This is especially important when carrying long loads.
- Check unit is securely attached whenever you refit it to the vehicle. If the unit feels loose, refer to the fitting instructions and readjust.
- Some glass/panoramic roofs and radio antennae may not be able to be used when the product is fitted.
- Do not modify this product.
- Refer to the maximum permitted load capacity specified in the fitting instructions. Do not exceed the vehicle manufacturers roof load rating if it is lower than the maximum load capacity specified in the fitting instructions.
- Loads should not overhang the sides of the product and be evenly distributed with the lowest possible centre of gravity.
- Long loads should be secured with non-elastic straps to the front and rear of the vehicle.
- Objects with pointed ends (e.g. ski poles) should be carried with the pointed ends to the rear of the vehicle.
- Remove all loose or removable objects from the load prior to loading.
- Make sure all loads are securely fastened with non-elastic straps. Check regularly during longer journeys.

- A loaded roof rack system can alter the performance of your vehicle. Be especially aware of the effects of side winds, changing of direction, and braking performance. Avoid rapid acceleration and deceleration. Drive carefully.
- Note that the total height of the vehicle increases when upright loads are carried.
- Products should be locked during transport if they have locks fitted.
- Check and replace worn out or defective parts.
- Keep the product clean and maintained.
- Never drive into a car wash with the roof rack system fitted.
- Lubricate locks and adjusting screws at regular intervals.
- Remove the products from the vehicle when not in use. Make sure all loose parts are stored safely.

Accessories Available for this Product:

- Roof Box
 - Ski, Snowboard Carrier
 - Canoe, Kayak Carrier
 - Bicycle Carrier
 - For more accessories please see our product catalogue.
-

- Hubco Automotive Ltd
P. O. Box 11017
Christchurch
NEW ZEALAND

www.whispbar.com
www.whispbar.com.au
www.whispbar.co.nz
www.whispbar.co.uk
www.whispbar.co.za
www.whispbar.eu
www.whispbar.ca
