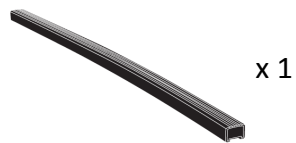
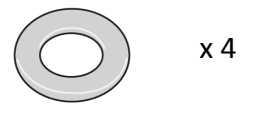
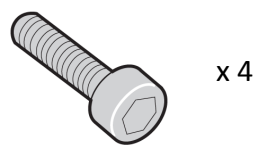
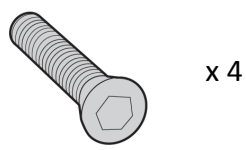
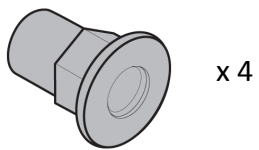
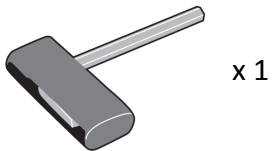
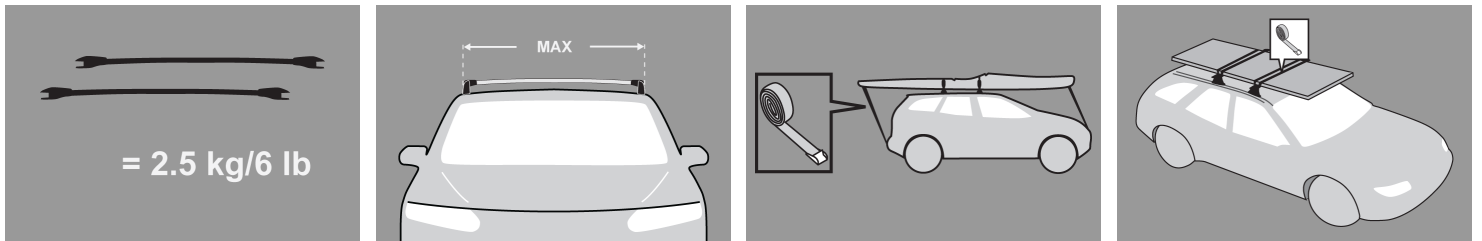


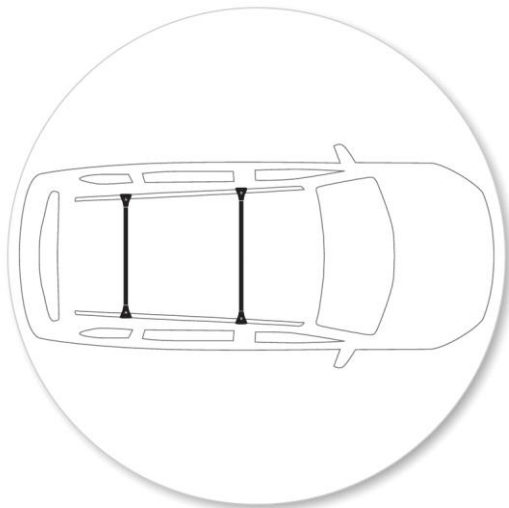
GB Fitting Instruction for Accessory



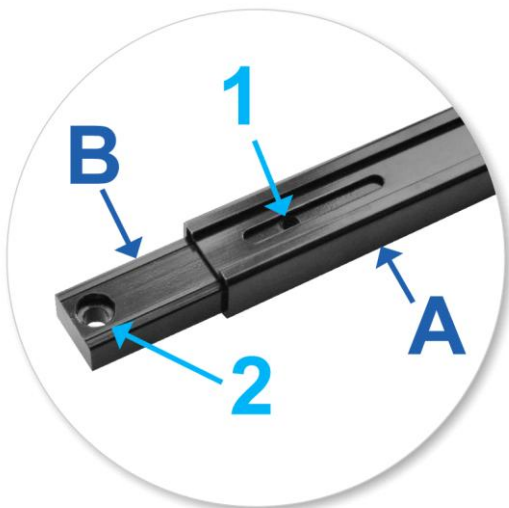
First Time Installation



- Remove parts from inside the package and check. Contact your dealer if any parts are missing or damaged.



- This product has two different bar lengths. The longer bar should be used on the front of the vehicle and the shorter bar used on the rear.



- Place crossbar (A) on a flat surface with the slots facing up.
- Insert crossbar extensions (B) into each end of the crossbar.
- The small hole on the crossbar extension should be inside the crossbar (1).
- The large counter-drilled hole should be facing up and outside the crossbar (2).



- Place washer (4) onto the cap screw (3).
- Put cap screw through crossbar slot (5) and into the crossbar extension.



- Repeat for all four positions.
- Attach cap screw with the Hex Key. Do not fully tighten.



- Place leg over crossbar end.



- Insert M8 screw up through leg and crossbar extension.
- Screw small end of M8 flange nut onto M8 screw approximately 3 turns.
- Repeat for all legs.

Fitment



- Use tape measure to ensure spacing is equal.
- Place crossbar on vehicle. Minimum recommended spacing between the bars is 700mm (27 1/2") (unless otherwise stated).



- Pull legs out evenly until both rubber gasket seal on roof rail.



- Repeat on other crossbar.
- Turn crossbar on it's side while holding the leg in position, then fully tighten capscrew with Hex Key. This locks crossbar length.



- Lift crossbar off the roof rails.
- Turn crossbars over and remove the M8 flange nuts from the leg
- Fit one clamp to each leg and assemble with the M8 screw and M8 flange nut. Do not tighten.
- Repeat for all legs.



- Place one end of the crossbar on the opposite rail then swing the leg assembly closest to you onto the rail into the original position.



- Hold clamp up under leg and tighten the M8 screw. **IMPORTANT:** only tighten to 4Nm (2.9 ft lb).
- Repeat for all legs.



- Check crossbar is securely attached to the vehicle.

CAUTION:
Recheck all fasteners immediately after a load is applied to the crossbars.
Regularly check screws are tight.

Maintenance

- Set crossbars a minimum distance of 700mm (27 1/2") apart where no other distance is specified in the fitting instructions. This is especially important when carrying long loads.
- Clean the car roof and surfaces of the product that will be in contact with the car roof.
- Follow the fitting instructions for fitting the product to your vehicle. Make sure all steps are carried out in order.
- Check unit is securely attached whenever you refit it to the vehicle. If the unit feels loose, refer to the fitting instructions and readjust.
- Some glass/panoramic roofs and radio antennae may not be able to be used when the product is fitted.
- Do not modify this product.
- Refer to the maximum permitted load capacity specified in the fitting instructions. Do not exceed the vehicle manufacturers roof load rating if it is lower than the maximum load capacity specified in the fitting instructions.
- Loads should not overhang the sides of the product and be evenly distributed with the lowest possible centre of gravity.
- Long loads should be secured with non-elastic straps to the front and rear of the vehicle.
- Objects with pointed ends (e.g. ski poles) should be carried with the pointed ends to the rear of the vehicle.
- Remove all loose or removable objects from the load prior to loading.
- Make sure all loads are securely fastened with non-elastic straps. Check regularly during longer journeys.

- A loaded roof rack system can alter the performance of your vehicle. Be especially aware of the effects of side winds, changing of direction, and braking performance. Avoid rapid acceleration and deceleration. Drive carefully.
- Note that the total height of the vehicle increases when upright loads are carried.
- Products should be locked during transport if they have locks fitted.
- Check and replace worn out or defective parts.
- Keep the product clean and maintained.
- Never drive into a car wash with the roof rack system fitted.
- Lubricate locks and adjusting screws at regular intervals.
- Remove the products from the vehicle when not in use. Make sure all loose parts are stored safely.

-
- Hubco Automotive Ltd
P. O. Box 11017
Christchurch
NEW ZEALAND

www.whispbar.com
www.whispbar.com.au
www.whispbar.co.nz
www.whispbar.co.uk
www.whispbar.co.za
www.whispbar.eu
www.whispbar.ca
